

4

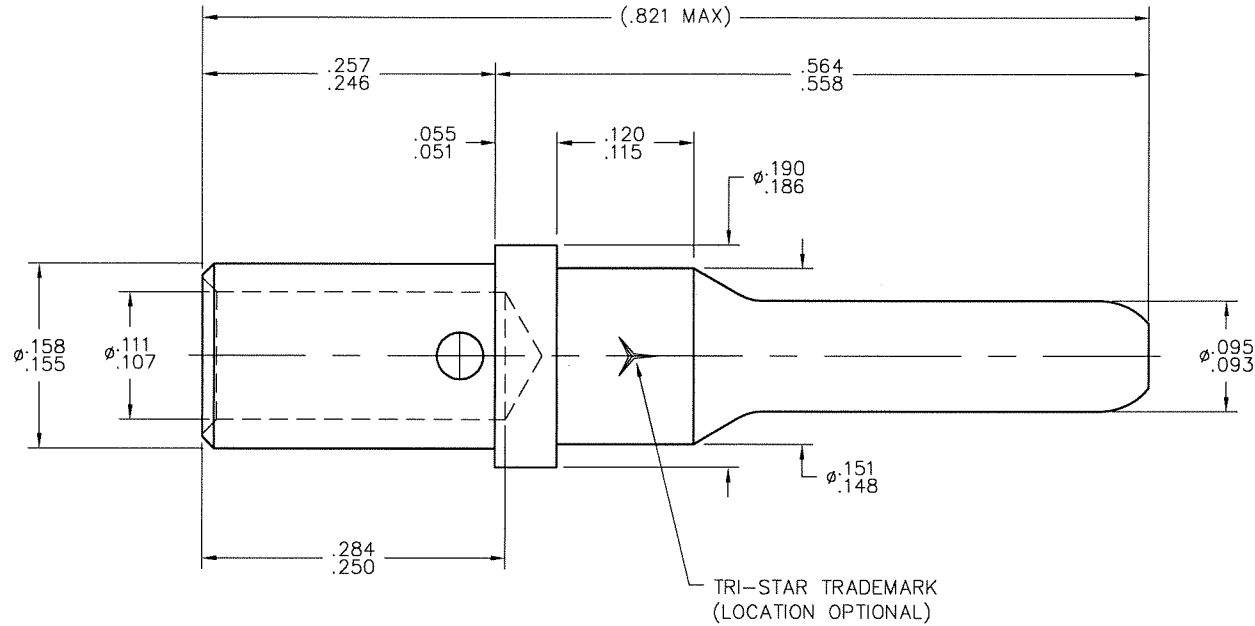
3

2

REV	SH	DWG NO.
NC	1	C19-1212-A0788

THIS DOCUMENT CONTAINS PROPRIETARY INFORMATION AND EXCEPT WITH WRITTEN PERMISSION OF TRI-STAR ELECTRONICS INT'L, INC., SUCH INFORMATION SHALL NOT BE PUBLISHED, OR DISCLOSED TO OTHERS, OR USED FOR ANY PURPOSE, AND THE DOCUMENT SHALL NOT BE DUPLICATED IN WHOLE OR IN PART.

REVISIONS			
ZONE	LTR	DESCRIPTION	DATE
	NC	NEW RELEASE PER E.O. 20300	5/28/10
			H.L.G.



5. SHEET 2 IS FOR TRI-STAR INTERNAL USE ONLY.

4. CRIMP TOOL DATA:

BASIC CRIMP TOOL - M22520/1-01  
 POSITIONER - M22520/1-02 YELLOW

3 FINISH: NICKEL PLATE PER AMS-QQ-N-290.

2 MATERIAL: SUITABLE COPPER ALLOY PER AS39029.

1. www.tri-starelectronics.com

NOTES: (UNLESS OTHERWISE SPECIFIED)

SALES DRAWING

NEXT ASSEMBLY	USED ON
APPLICATION	

QTY REQ'D	FSQM NO.	PART OR IDENTIFYING NO.	NOMENCLATURE OR DESCRIPTION	MATERIAL SPECIFICATION	ITEM NO.
PARTS LIST					
UNLESS OTHERWISE SPECIFIED DIMENSIONS ARE IN INCHES. TOLERANCES ARE: ANGLES     .XX     .XXX ±.30'     ±.01     ±.005 DO NOT SCALE DRAWING			CONTRACT NO.	<b>TRI-STAR ELECTRONICS INT'L, INC.</b> 2201 ROSECRANS AVENUE, EL SEGUNDO, CA 90245 DWG TITLE <b>CONTACT, ELECTRICAL CONNECTOR            PIN, CRIMP REMOVABLE, #12</b>	
MATERIAL: TREATMENT: FINISH:			RATING:		
APPROVALS		DATE			
DRAWN: F. RODRIGUEZ		5/24/10			
CHECKED: <i>[Signature]</i>		5/28/10			
APPROVED: <i>[Signature]</i>		5/28/10		SIZE: <b>A</b> CAGE CODE: <b>55104</b> SCALE: NONE CAD NO: 1.6X-	DWG NO.: C19-1212-A0788 REV NO.: NC SHEET 1 OF 2

4

3

2

1